

# POLYMAT ROOF

# EXPOSED WARMROOF

**POLYMAT ROOF UV-R, 1.50mm**

140g/m<sup>2</sup> GEOTEXTILE-SEPARATION LAYER

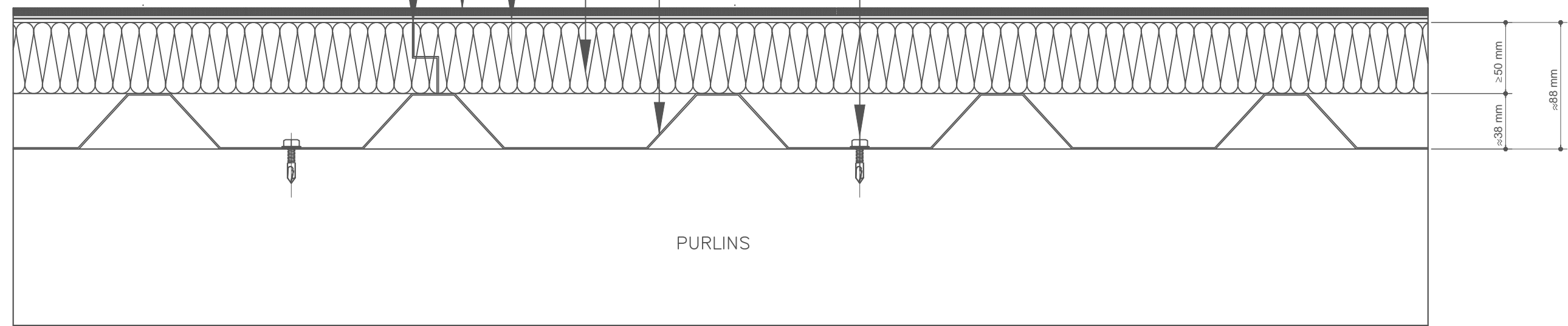
ALTERNATIVES:  
 -PIR/PUR INSULATION BOARDS 35kg DENSITY (SL Joints)  
 -alt. MINERAL WOOL INSULATION BOARD 150-160kg DENSITY (\*)

ROOF CORRUGATED SHEET (i.e.38/200/0.70 mm)

FASTENING CORRUGATED STEEL SHEET

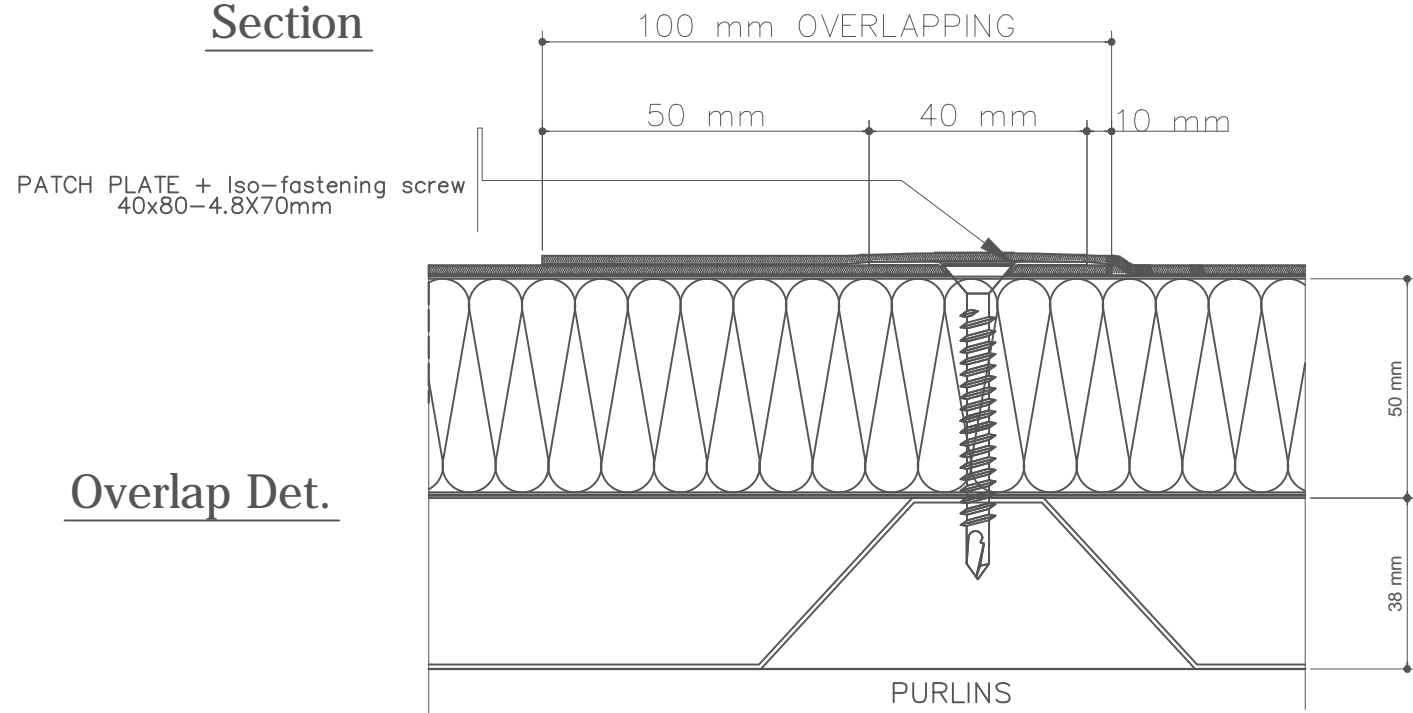
LAP JOINT

MEMBRANE LAYING DIRECTION

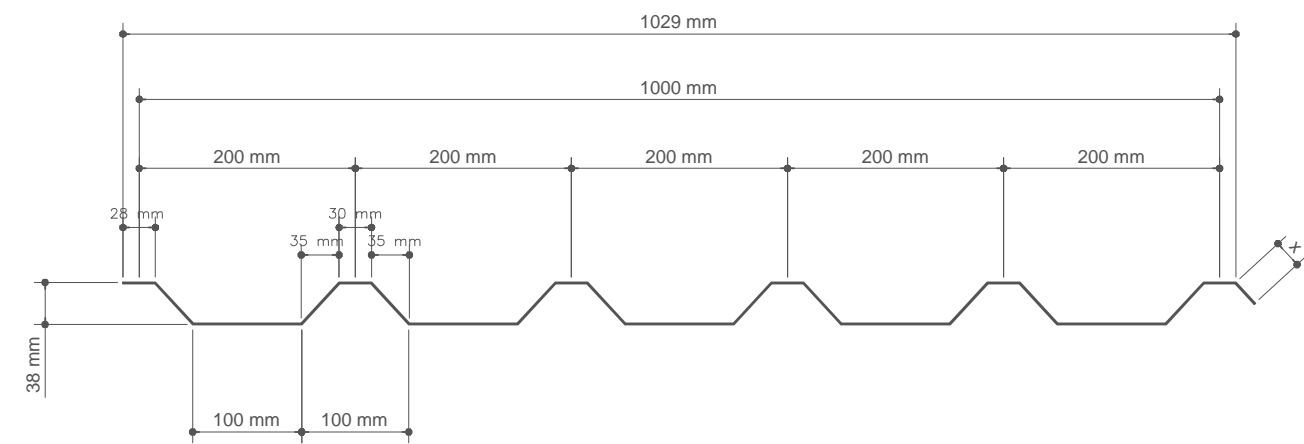


**Section**

(\*) MINERAL WOOL REQUIRES DOUBLE LAYER SYSTEM (STAGGERED JOINTS NOT LESS THAN 2X50mm)



**Overlap Det.**



**Exemplary: Corr. Metal Deck**